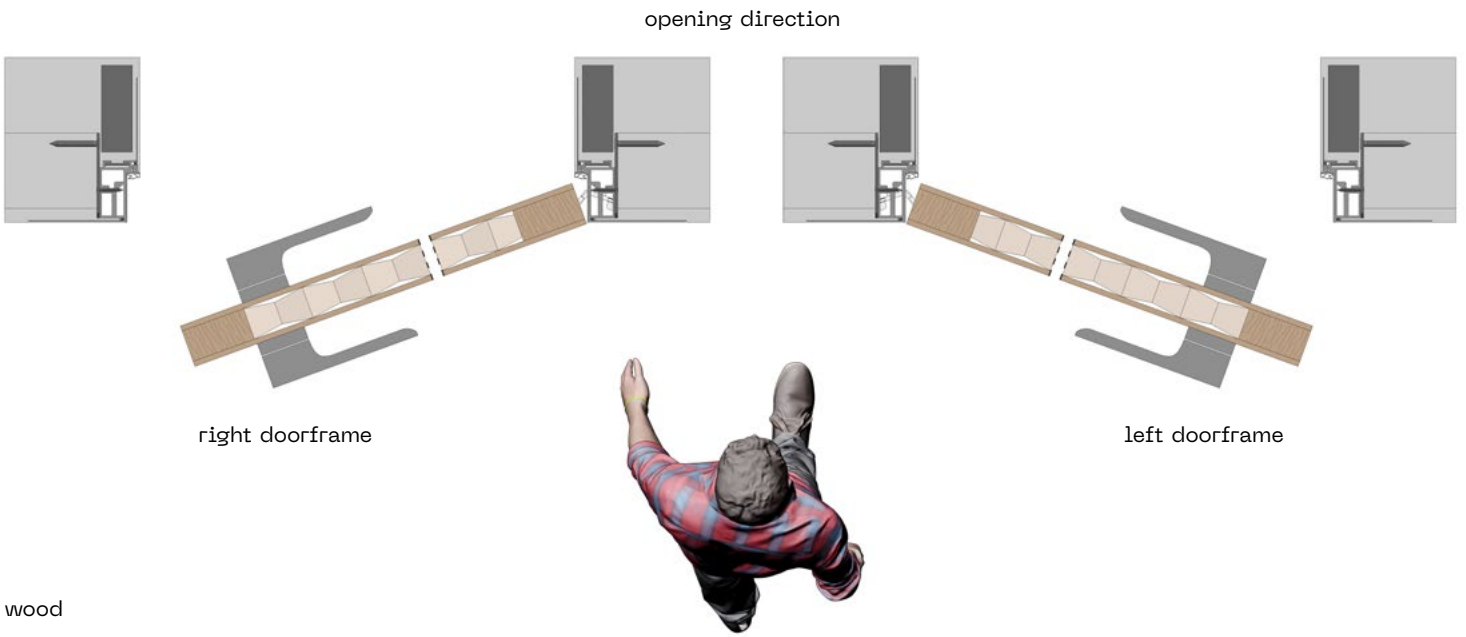
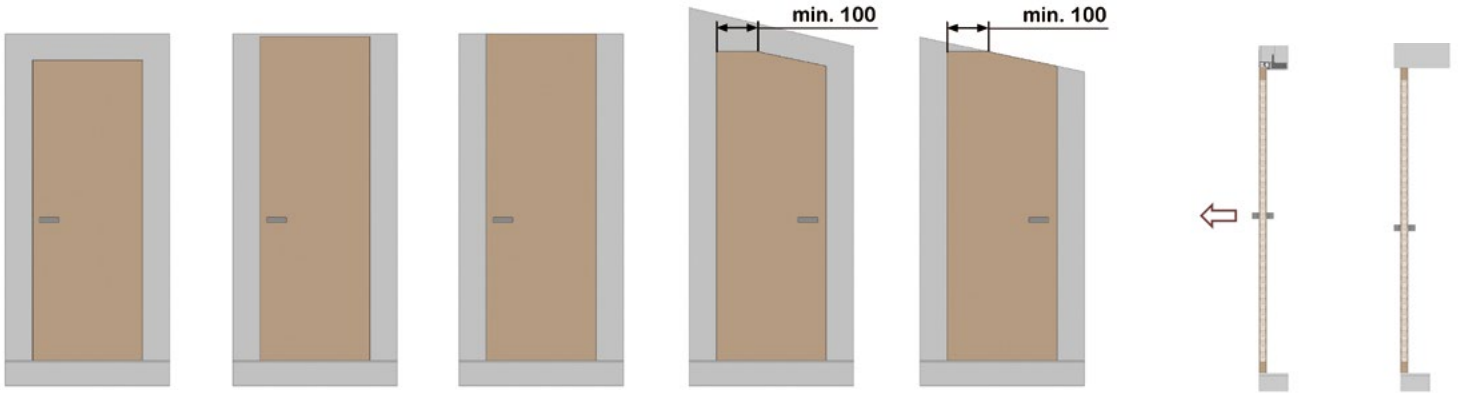
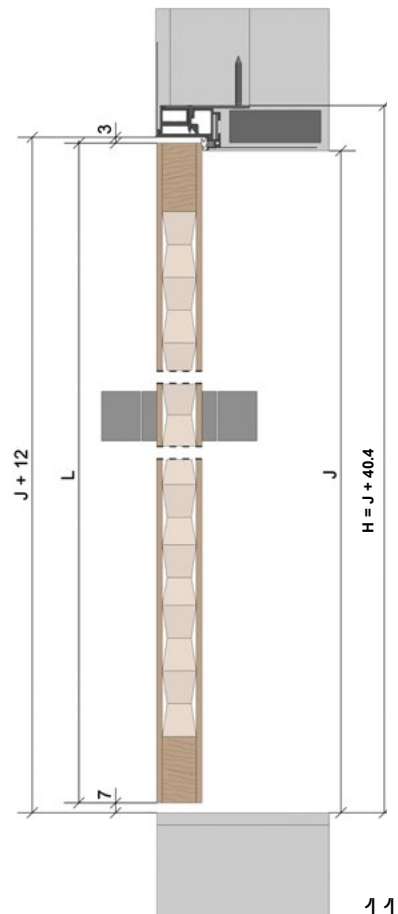
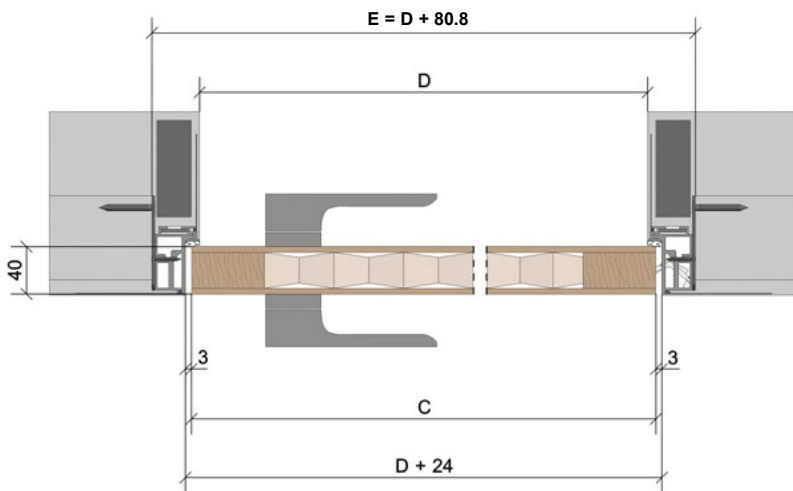


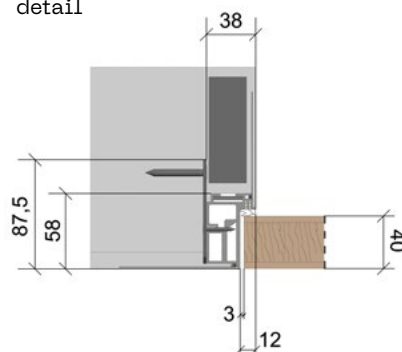
DOORFRAME SOLUTION OPTIONS



wood

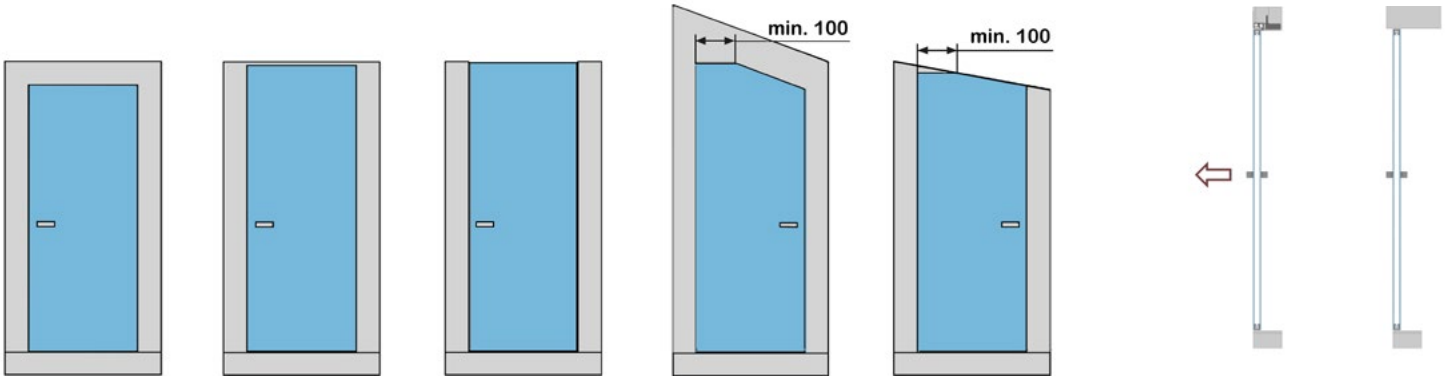


detail

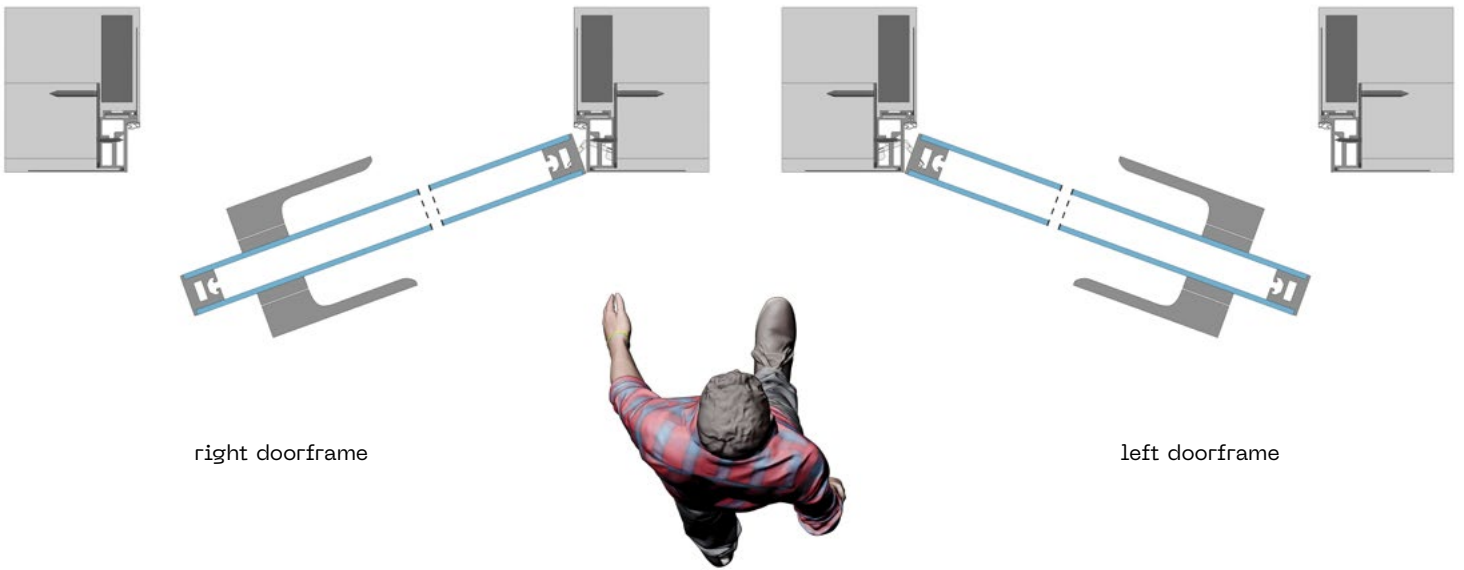


- C – width of door leaf
- L – door leaf height
- E – total width of doorframe
- H – total height of doorframe
- D – net walk-through width of doorframe
- J – net walk-through height of doorframe

DOORFRAME SOLUTION OPTIONS



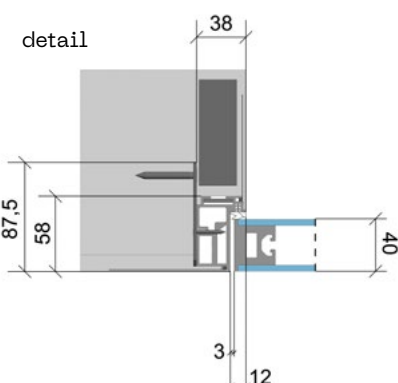
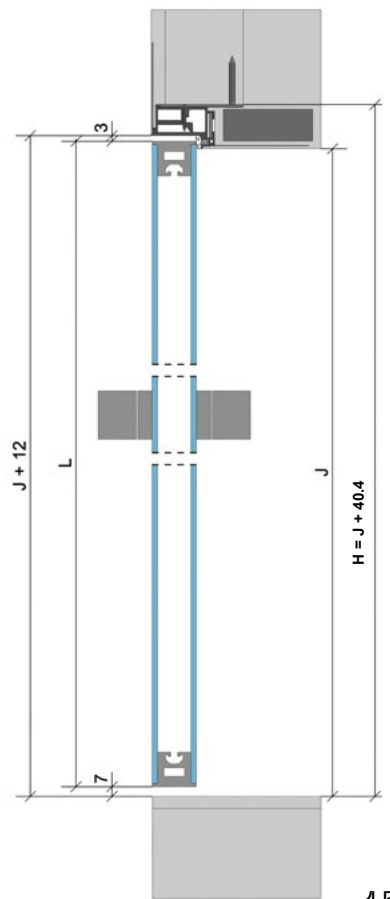
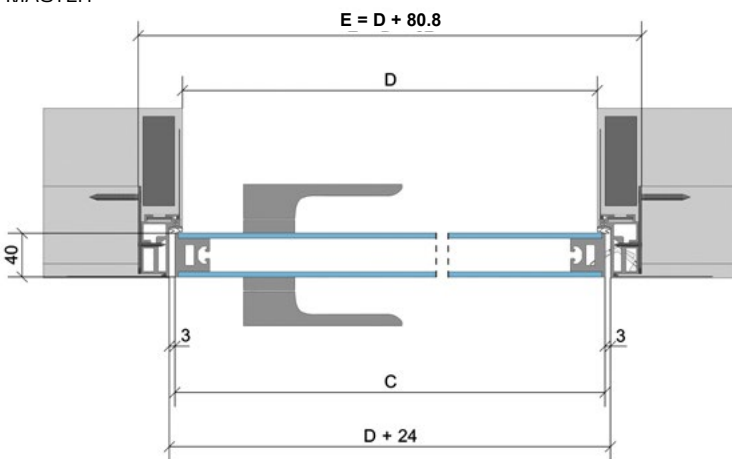
opening direction



right doorframe

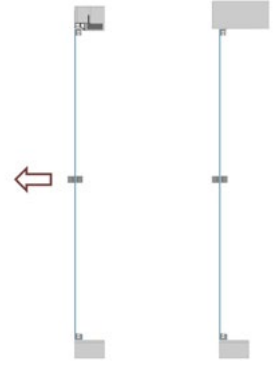
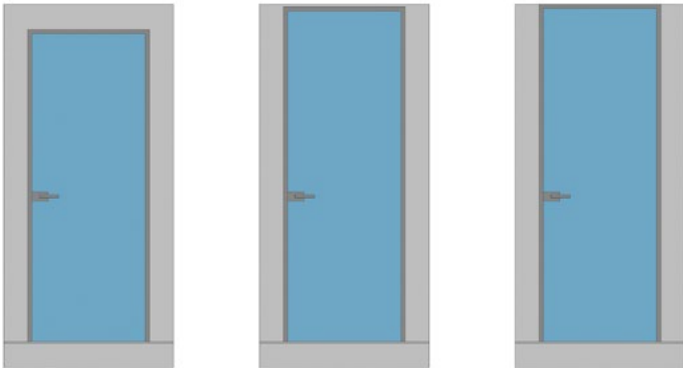
left doorframe

MASTER

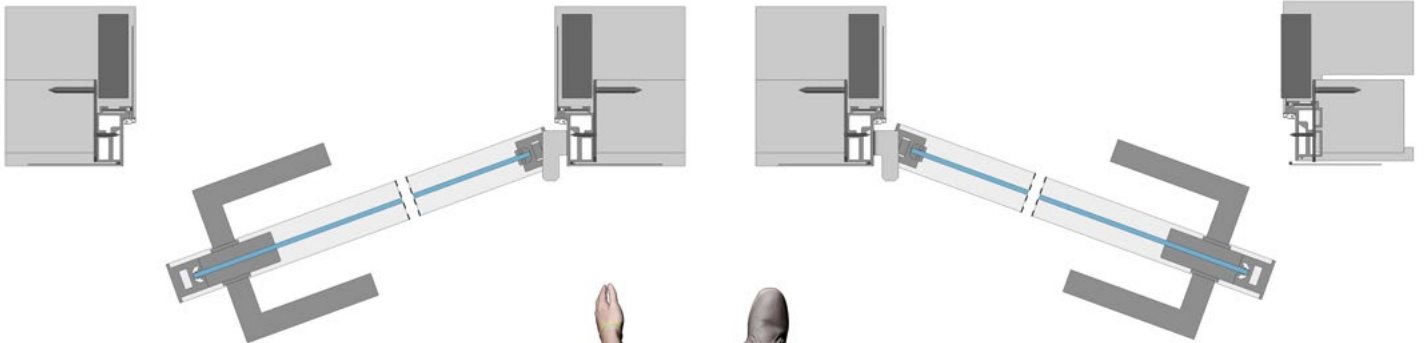


- C – width of door leaf
- L – door leaf height
- E – total width of doorframe
- H – total height of doorframe
- D – net walk-through width of doorframe
- J – net walk-through height of doorframe

DOORFRAME SOLUTION OPTIONS



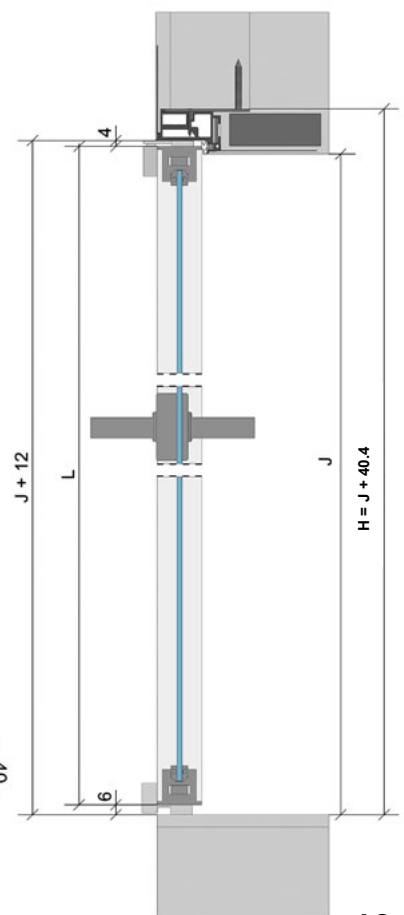
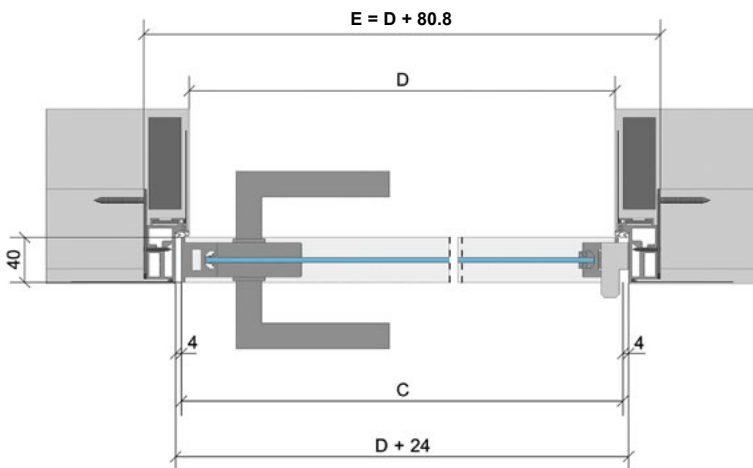
opening direction



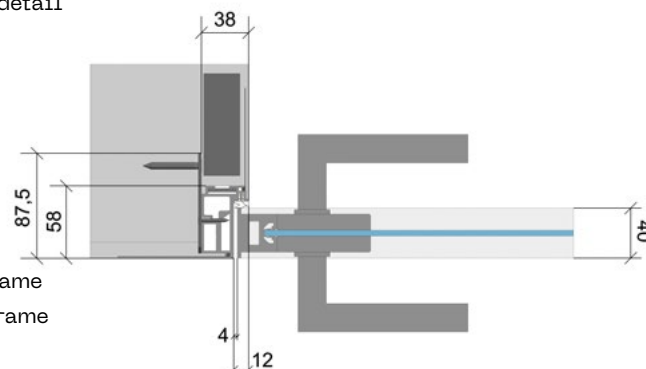
right doorframe

left doorframe

STING



detail



- C – width of door leaf
- L – door leaf height
- E – total width of doorframe
- H – total height of doorframe
- D – net walk-through width of doorframe
- J – net walk-through height of doorframe